

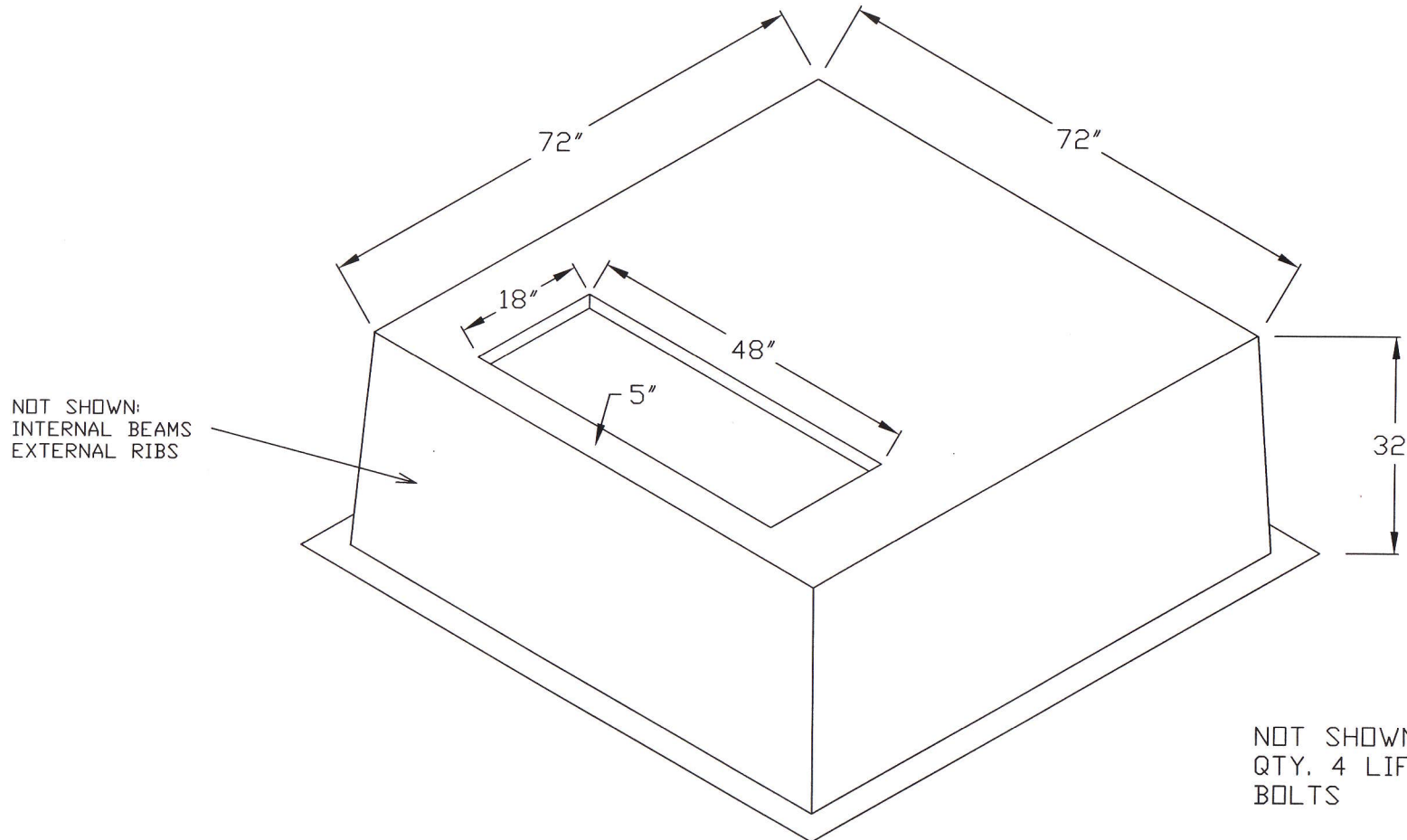
NOTE: DIMENSIONS ARE MEASURED AT THE INTERSECTION OF PROJECTED ADJACENT PLANES

LOAD TESTED TO 30,000 LBS.
MAX. TRANSFORMER LOAD 7,000 LBS.

WOOD FREE STRUCTURAL CONSTRUCTION.

ELECTRI-GLASS, INC.
63 COMPASS DRIVE
JACKSON, TN. 38301

731-427-0433 (P)
731-427-4684 (F)
EGLASS@AENEAS.NET (E)
WWW.ELECTRI-GLASS.COM



ELECTRI-GLASS, INC.	
DATE: 01/06/11	DRAWN BY: J.P.
DWG.# 01	REVISED:
THREE PHASE TRANSFORMER BOX PAD / PAD-VAULT	
CAT.#: BP7000	